

JP-09-230357E

[Title of the Invention] METHOD FOR PRODUCING LIQUID
CRYSTAL PANEL AND LIQUID CRYSTAL CELL USED FOR THE SAME

[Abstract]

[Object] To efficiently inject liquid crystals into a liquid crystal cell.

[Solving Means] The projecting parts 5 are formed at both ends of one side of a sealing material 3 in which a liquid crystal injection port 4 is located. Accordingly, the liquid crystals 6 are prevented from flowing outward and are filled in the liquid crystal cell.

[Claims]

[Claim 1] A method for producing a liquid crystal panel comprising the steps of forming a sealing pattern having a liquid crystal injection port at a peripheral edge of a first electrode substrate toward one edge of the substrate and having projecting parts at the both ends of the side having the injection port in contact with the edge by a sealing material, overlapping a second electrode substrate with the first electrode substrate so that the edge of the first electrode substrate in which the liquid crystal injection port is located is more projected than the edge of the second electrode substrate outward, applying predetermined pressure to the second electrode substrate and curing the sealing material to form a liquid crystal cell,

dropping liquid crystals to the liquid crystal injection port in the state of erecting the liquid crystal cell so that liquid crystal injection port is upward under vacuum atmosphere, injecting the liquid crystals into a region enclosed by the sealing material, and sealing the liquid crystal injection port.

[Claim 2] A method for producing a liquid crystal panel comprising the steps of forming a sealing pattern having a liquid crystal injection port at a peripheral edge of a first electrode substrate toward one edge of the substrate, overlapping a second electrode substrate with the first electrode substrate so that the edge of the first electrode substrate in which the liquid crystal injection port is located is more projected than the edge of the second electrode substrate outward, applying predetermined pressure to the second electrode substrate and curing the sealing material, forming projecting parts having a thickness greater than that of the liquid crystals on the first electrode substrate in contact with at the both ends of one side of the sealing material in which the liquid crystal injection port is located to form a liquid crystal cell, dropping liquid crystals to the liquid crystal injection port in the state of erecting the liquid crystal cell so that liquid crystal injection port is upward under vacuum atmosphere, injecting the liquid crystals into a region

enclosed by the sealing material, and sealing the liquid crystal injection port.

[Claim 3] A liquid crystal cell formed by adhering a first electrode substrate and a second electrode substrate in the state of interposing a sealing material having a liquid crystal injection port on a peripheral edge of the substrate, wherein the edge of the first electrode substrate in which the liquid crystal injection port is located is more projected than the edge of the second electrode substrate outward, and projecting parts having a thickness greater than that of the liquid crystals are formed at the both ends of one side of the sealing material in which the liquid crystal injection port is located.

[Claim 4] The liquid crystal cell according to Claim 3, wherein the projecting parts formed at the both ends of one side of the sealing material is formed by the sealing material.

[Claim 5] The liquid crystal cell according to Claim 3 or 4, wherein the sealing material consists of UV curing resin.

[Detailed Description of the Invention]

[0001]

[Technical Field of the Invention]

The present invention relates to a method for producing a liquid crystal panel used for a light valve used in a flat panel display, a projection display, and a printer, and a

liquid crystal cell used for the same.

[0002]

[Description of the Related Art]

Conventionally, a liquid crystal panel which is a main component of a liquid crystal display device is formed by adhering a pair of substrates having electrodes and alignment control layers formed on the surfaces thereof by a sealing material to form a liquid crystal cell, injecting liquid crystals into the liquid crystal cell and sealing the liquid crystal cell. Fig. 5 illustrates a conventional liquid crystal cell (before injecting the liquid crystals). In the drawings, reference numerals 1 and 2 denote electrode substrates, a reference numeral 3 denotes a sealing material, and a reference numeral 4 denotes a liquid crystal injection port.

[0003]

As shown in Fig. 5, a sealing pattern of a sealing material is formed at the peripheral edge of one electrode substrate so that a liquid crystal injection port is formed toward one edge of the substrate, the other electrode substrate overlaps with one electrode substrate and predetermined pressure is applied to the other electrode substrate, and the sealing material is cured in the state that the sealing material is flattened to form a liquid crystal cell. The liquid crystal cell is then put in the

vacuum atmosphere, the liquid crystals are injected from the liquid crystal injection port, the liquid crystals which flow out of the liquid crystal injection port are removed, and the liquid crystal injection port is sealed, thereby completing the liquid crystal panel.

[0004]

[Problems to be Solved by the Invention]

However, if the liquid crystal panel is erected so that the liquid crystal injection port is upward and the liquid crystals are dropped to the liquid crystal injection port, the liquid crystal flows along the sealing material toward a transverse direction, and thus the amount of the liquid crystals which are injected into the liquid crystal cell is lack. Accordingly, in order to solve the problem, the amount of the liquid crystals to be dropped is increased or the liquid crystals are dropped several times. However, the liquid crystal injection failure is apt to be generated and thus production yield of the liquid crystal panel is deteriorated. Also, the process is complicated and working efficiency is bad. Further, since significant excessive liquid crystals are required, economical efficiency is bad.

[0005]

Accordingly, the object of the present invention is to provide a method for producing a liquid crystal panel having high economical efficiency and a liquid crystal cell into

which the liquid crystal can be efficiently injected at a high yield with the smallest amount of the liquid crystals.

[0006]

[Means for Solving the Problems]

According to a first aspect of the present invention, there is provided a method for producing a liquid crystal panel comprising the steps of forming a sealing pattern having a liquid crystal injection port at a peripheral edge of a first electrode substrate toward one edge of the substrate and having projecting parts at the both ends of the side having the injection port in contact with the edge by a sealing material, overlapping a second electrode substrate with the first electrode substrate so that the edge of the first electrode substrate in which the liquid crystal injection port is located is more projected than the edge of the second electrode substrate outward, applying predetermined pressure to the second electrode substrate and curing the sealing material to form a liquid crystal cell, dropping liquid crystals to the liquid crystal injection port in the state of erecting the liquid crystal cell so that liquid crystal injection port is upward under vacuum atmosphere, injecting the liquid crystals into a region enclosed by the sealing material, and sealing the liquid crystal injection port.

[0007]

According to a second aspect of the present invention, there is provided a method for producing a liquid crystal panel comprising the steps of forming a sealing pattern having a liquid crystal injection port at a peripheral edge of a first electrode substrate toward one edge of the substrate, overlapping a second electrode substrate with the first electrode substrate so that the edge of the first electrode substrate in which the liquid crystal injection port is located is more projected than the edge of the second electrode substrate outward, applying predetermined pressure to the second electrode substrate and curing the sealing material, forming projecting parts having a thickness greater than that of the liquid crystals on the first electrode substrate in contact with at the both ends of one side of the sealing material in which the liquid crystal injection port is located to form a liquid crystal cell, dropping liquid crystals to the liquid crystal injection port in the state of erecting the liquid crystal cell so that liquid crystal injection port is upward under vacuum atmosphere, injecting the liquid crystals into a region enclosed by the sealing material, and sealing the liquid crystal injection port.

[0008]

According to a third aspect of the present invention, there is provided a liquid crystal cell formed by adhering a

first electrode substrate and a second electrode substrate in the stat of interposing a sealing material having a liquid crystal injection port on a peripheral edge of the substrate, wherein the edge of the first electrode substrate in which the liquid crystal injection port is located is more projected than the edge of the second electrode substrate outward, and projecting parts having a thickness greater than that of the liquid crystals are formed at the both ends of one side of the sealing material in which the liquid crystal injection port is located.

[0009]

In the liquid crystal cell, the projecting parts formed at the both ends of one side of the sealing material may be formed by the sealing material when the sealing material is disposed on the first electrode substrate or may be formed by the sealing material or the other material after adhering the first and second electrode substrates to each other.

[0010]

[Description of the Embodiments]

In the present invention, since projection parts are formed at the both ends of the liquid crystal injection port of a liquid crystal cell in contact with a sealing material, the liquid crystals which flow out of the liquid crystal injection port toward a transverse direction are blocked by the projecting parts. Accordingly, the dropped liquid

crystals are not waste and the liquid crystal is not lack during the injection. Thus, the liquid crystals are filled in the liquid crystal cell with the smallest amount of the liquid crystals to produce the liquid crystal panel. Hereinafter, the present invention will be described in detail.

[0011]

Figs. 1 to 4 illustrate a liquid crystal cell and a liquid crystal panel according to an embodiment of the present invention. Like reference numerals in the drawings denote like elements, and thus their description will be omitted. In Fig. 3, a reference numeral 5 denotes projecting parts formed in contact with a sealing material and a reference numeral 6 denotes liquid crystals.

[0012]

Fig. 1 illustrates a sealing pattern of a sealing material disposed on a first electrode substrate 1. As shown, the sealing pattern is formed by a sealing material 3 and projecting part 5 which are a characteristic of the present invention are formed. Thus, the effect of the present invention can be obtained without increasing the process number. As the sealing resin 3, a UV curing resin, for example, a UV curing acrylic resin is used. Also, the sealing material 3 is mixed with spaces having a diameter 5 μm . The sealing pattern of Fig. 1 having a width of 300 μm

and a thickness of 20 μm is formed on the substrate by this sealing material using a dispenser.

[0013]

Next, as shown in Fig. 2, a second electrode substrate 2 overlaps with the first electrode substrate 1 so that the edges thereof are deviated and ultraviolet rays are irradiated to the sealing material 3 with pressure to cure the sealing material 3. The interval between the both substrates is 5 μm by spacers mixed in the sealing material 3 and the sealing material 3 is expanded by the pressure. However, since the projecting parts 5 projected from the second electrode substrate 2 is not pressurized by the second substrate 2, the thickness at the time of forming the sealing pattern is 20 μm . Accordingly, as shown in Fig. 3, the projection parts 5 in the section taken along a line A-A' of Fig. 2 has a thickness greater than the liquid crystal thickness (cell gap).

[0014]

Fig. 4 illustrates a process of erecting the liquid crystal cell so that the liquid crystal injection port 4 is upward and dropping the liquid crystals to the liquid crystal injection port 4 under the vacuum atmosphere. As shown, since the projecting parts 5 are formed at the both ends of the liquid crystal injection port 4 and the thicknesses of the projecting parts 5 are greater than that

of the liquid crystal, the liquid crystals 6 which flow out of the liquid crystal injection port 4 toward the transverse direction are blocked by the projecting parts 5 and can not flow outward. Then, the liquid crystals 6 are held at the periphery of the liquid crystal injection port 4 by surface tension and are gradually moved from the liquid crystal injection port 4 into a liquid crystal cell. Thus, the liquid crystals are filled in this liquid crystal cell. The atmosphere is returned to the atmospheric pressure after the completion of the filling of the liquid crystals 6, and the excess liquid crystals 6 are removed. A sealing material is then dropped to the liquid crystal injection port 4 and is cured.

[0015]

In the liquid crystal cell of the present invention, the reason why the projecting parts 5 are not formed at the side of the liquid crystal injection port 4 is because the amount of the liquid crystals which can be held is little and thus the number of the dropping processes increases if the projecting parts 5 are formed at the side of the liquid crystal injection port 4. Accordingly, by forming the projecting parts at the both ends of the sealing material side in which the liquid crystal injection port 4 is located, the amount of the liquid crystals which can be dropped and held increases and thus the number of the dropping processes

can be reduced or the liquid crystals can be filled by one dropping process.

[0016]

Although the sealing pattern and the projecting parts 5 are simultaneously formed by the sealing material in the above-mentioned embodiment, the projecting parts 5 may be formed at a predetermined location after the conventional sealing pattern shown in Fig. 5 is formed and the both substrates are adhered to each other.

[0017]

[Advantages]

As described above, in the present invention, since the liquid crystal dropped in the liquid crystal injecting process can be used without the waste, the high working efficiency is obtained, the filling failures are eliminated, and the yield of the production is enhanced. Accordingly, the producing cost is reduced and thus cheap liquid crystal panel having high reliability is provided.

[Brief Description of the Drawings]

[Fig. 1]

Fig. 1 illustrates a sealing pattern of a sealing material of a liquid crystal cell according to an embodiment of the present invention.

[Fig. 2]

Fig. 2 illustrates the liquid crystal cell shown in Fig.

1.

[Fig. 3]

Fig. 3 is a cross-sectional view taken along a line A-A' of the liquid crystal cell shown in Fig. 2.

[Fig. 4]

Fig. 4 illustrates a liquid crystal injecting process of the liquid crystal cell shown in Fig. 2.

[Fig. 5]

Fig. 5 illustrates a conventional liquid crystal cell.

[Reference Numerals]

- 1: first electrode substrate
- 2: second electrode substrate
- 3: sealing material
- 4: liquid crystal injection port
- 5: projecting part
- 6: liquid crystal

(19)日本国特許庁 (J P)

(12)公開特許公報 (A)

(11)特許出願公開番号

特開平9-230357

(43)公開日 平成9年(1997)9月5日

(51)Int. Cl.⁶
G02F 1/1341

識別記号

F I
G02F 1/1341

審査請求 未請求 請求項の数 5 F D (全4頁)

(21)出願番号 特願平8-58211

(22)出願日 平成8年(1996)2月22日

(71)出願人 000001007

キヤノン株式会社

東京都大田区下丸子3丁目30番2号

(72)発明者 古島 輝彦

東京都大田区下丸子3丁目30番2号 キヤ

ノン株式会社内

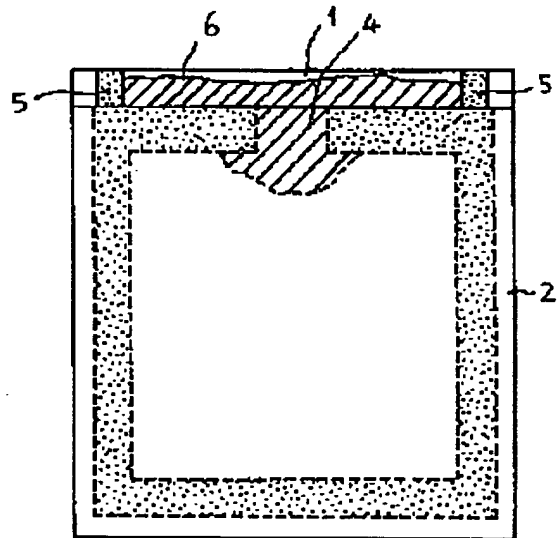
(74)代理人 弁理士 豊田 善雄 (外1名)

(54)【発明の名称】 液晶パネルの製造方法及びこれに用いる液晶セル

(57)【要約】

【課題】 液晶を液晶セルに効率良く注入する。

【解決手段】 液晶注入口4の位置するシール材3の一边の両端部に突出部5を形成することにより、滴下した液晶6が外側に流れ出すのを防止し、液晶セル内へ充填させる。



【特許請求の範囲】

【請求項1】 第一の電極基板上の周縁部に、該基板の一端辺に向かって液晶注入口を有し且つ該注入口を有する辺の両端部に該辺に接して突出部を有する封止パターンをシール材により形成し、上記液晶注入口が位置する第一の電極基板の端辺が第二の電極基板の端辺よりも外側に突出するように第一の電極基板に第二の電極基板を重ね、該第二の電極基板に所定圧をかけた上で上記シール材を硬化させて液晶セルを形成し、真空雰囲気下で該液晶セルを上記液晶注入口が上になるように立て置きにした状態で該液晶注入口に液晶を滴下し、上記シール材で囲繞された領域に液晶を注入し、該液晶注入口を封止することを特徴とする液晶パネルの製造方法。

【請求項2】 第一の電極基板上の周縁部に、該基板の一端辺に向かって液晶注入口を有する封止パターンをシール材により形成し、上記液晶注入口が位置する第一の基板の端辺が第二の電極基板の端辺よりも外側に突出するように第一の電極基板に第二の電極基板を重ね、該第二の電極基板に所定圧をかけた上で上記シール材を硬化させた後、上記液晶注入口の位置するシール材の一端の両端部に接して液晶厚よりも厚い突出部を第一の電極基板上に形成して液晶セルとし、真空雰囲気下で該液晶セルを上記液晶注入口が上になるように立て置きにした状態で該液晶注入口に液晶を滴下し、上記シール材で囲繞された領域に液晶を注入し、該液晶注入口を封止することを特徴とする液晶パネルの製造方法。

【請求項3】 第一の電極基板と第二の電極基板とが、基板周縁部において液晶注入口を開けてシール材を介して貼り合わされてなる液晶セルであって、液晶注入口の位置する第一の電極基板端辺が、第二の電極基板の端辺よりも外側に突出しており、該液晶注入口の位置するシール材の一端の両端部に、該辺に接触し且つ第二の電極基板より外側に突出する液晶厚よりも厚い突出部を有することを特徴とする液晶セル。

【請求項4】 上記シール材の一端両端部に設けた突出部が該シール材で形成されている請求項3記載の液晶セル。

【請求項5】 上記シール材がUV硬化型樹脂からなる請求項3及び4記載の液晶セル。

【発明の詳細な説明】

【0001】

【発明の属する技術分野】本発明は、フラットパネルディスプレイ、プロジェクションディスプレイ、プリンター等に用いられるライトバルブに使用される液晶パネルの製造方法、及び該製造方法に用いられる液晶セルに関する。

【0002】

【従来の技術】従来、液晶表示装置の主たる構成部品である液晶パネルは、表面に電極や配向制御膜等を作り込んだ一対の電極基板をシール材により貼り合わせた液晶

セルに液晶を注入し、封止してなる。図5に従来の液晶セル（液晶注入前）を示す。図中、1、2は電極基板、3はシール材、4は液晶注入口である。

【0003】図5に示されるように、シール材の封止パターンは一方の電極基板上の周縁部に、該基板の一端辺に向かって液晶注入口を有するように形成され、もう一方の電極基板を重ねて所定の圧力をかけ、上記シール材を多少押しつぶすようにした状態で該シール材を硬化させる。こうして作製された液晶セルを真空雰囲気下に置き、上記液晶注入口から液晶を注入し、液晶注入口からあふれた液晶を除去して該液晶注入口を封止して液晶パネルが完成する。

【0004】

【発明が解決しようとする課題】しかしながら、液晶を注入する際に、液晶注入口を上にして液晶パネルを立て置きにし、上記液晶注入口に液晶を滴下すると、液晶がシール材を伝って横方向に流れ、内部に入る液晶量が不足する。従って、滴下する液晶量を増加したり、複数回にわたって液晶を滴下するなどの対策が取られているが、液晶の注入不良が発生し易く、液晶パネルの製造歩留を低下せしめる原因であった。また、工程自体が複雑になり作業効率が悪く、所定の注入量よりもかなり過剰の液晶が必要であるため経済効率も悪かった。

【0005】本発明は、このような問題点を解決し、作業効率が良く、経済効率の高い液晶パネルの製造方法を提供するものであり、さらに、最小限の液晶量で効率良く且つ歩留良く液晶を注入し得る液晶セルを提供するものである。

【0006】

【課題を解決するための手段】本発明の第一は液晶パネルの製造方法であって、第一の電極基板上の周縁部に、該基板の一端辺に向かって液晶注入口を有し且つ該注入口を有する辺の両端部に該辺に接して突出部を有する封止パターンをシール材により形成し、上記液晶注入口が位置する第一の電極基板の端辺が第二の電極基板の端辺よりも外側に突出するように第一の電極基板に第二の電極基板を重ね、該第二の電極基板に所定圧をかけた上で上記シール材を硬化させて液晶セルを形成し、真空雰囲気下で該液晶セルを上記液晶注入口が上になるように立て置きにした状態で該液晶注入口に液晶を滴下し、上記シール材で囲繞された領域に液晶を注入し、該液晶注入口を封止することを特徴とする。

【0007】本発明の第二は上記第一の発明とは異なる液晶パネルの製造方法であって、第一の電極基板上の周縁部に、該基板の一端辺に向かって液晶注入口を有する封止パターンをシール材により形成し、上記液晶注入口が位置する第一の基板の端辺が第二の電極基板の端辺よりも外側に突出するように第一の電極基板に第二の電極基板を重ね、該第二の電極基板に所定圧をかけた上で上記シール材を硬化させた後、上記液晶注入口の位置する

10

20

30

40

50

シール材の一边の両端部に接して液晶厚よりも厚い突出部を第一の電極基板上に形成して液晶セルとし、真空雰囲気下で該液晶セルを上記液晶注入口が上になるように立て置きにした状態で該液晶注入口に液晶を滴下し、上記シール材で囲繞された領域に液晶を注入し、該液晶注入口を封止することを特徴とする。

【0008】本発明の第三は液晶セルであり、第一の電極基板と第二の電極基板とが、基板周縁部において液晶注入口を開けてシール材を介して貼り合わされてなる液晶セルであって、液晶注入口の位置する第一の電極基板端辺が、第二の電極基板の端辺よりも外側に突出しており、該液晶注入口の位置するシール材の一边の両端部に、該辺に接触し且つ第二の電極基板より外側に突出する液晶厚よりも厚い突出部を有することを特徴とする。

【0009】本発明第三の液晶セルにおいて、シール材の一边の両端部に有する突出部は、シール材を第一の電極基板上に配する際に同時に該シール材により形成しても、第一と第二の電極基板を貼り合わせた後に所定の位置に上記シール材或いはシール材以外の素材により形成しても、いずれでも構わない。

【0010】

【発明の実施の形態】本発明においては、液晶セルの液晶注入口の両側に、シール材に接して突出部を設けることにより、該突出部によって液晶注入口から横方向に流れた液晶が堰き止められるため、滴下した液晶に無駄がなく、注入途中で液晶が不足することもないため、最小限の液晶量で良好に液晶セル内に液晶を充填して液晶パネルを作製することができる。以下に本発明を詳細に説明する。

【0011】図1～図4は本発明の液晶セル及び液晶パネルの一実施形態を示すものである。図中、先に説明した図3と同じ部位には同じ符号を付して説明を省略する。図3中、5はシール材に接して形成された突出部、6は液晶である。

【0012】図1は第一の電極基板1上に配置したシール材の封止パターンである。本図に示すように、シール材3で封止パターンを形成すると同時に、本発明の特徴である突出部5をも形成しておくことにより、工程数を増やすことなく本発明の効果を得ることができる。シール材3としてはUV硬化型樹脂、例えばUV硬化型のアクリル樹脂が好適に用いられる。また、シール材3には粒径5 μ mのスペーサーを混合しておく。このシール材で図1の封止パターンを例えば幅300 μ m、厚さ20 μ mでディスペンサーにより基板上に形成する。

【0013】次に、図2に示すように、第二の電極基板2を第一の電極基板とは端辺をずらして重ね、加圧しながら紫外線を照射することによってシール材3を硬化する。両基板の間隔は、シール材3に混合されたスペーサーによって5 μ mに保たれ、加圧によってシール材3は押し広げられている。しかしながら、第二の電極基板2

からはみ出た突出部5においては、該第二の基板2によって加圧されないため、封止パターンを形成した時点での厚さ20 μ mを維持している。従って、図3に示すように、図2のA-A'断面における突出部5は液晶厚(セルギャップ)よりも厚くなる。

【0014】図4は上記液晶セルを液晶注入口4が上になるように立て置きし、真空雰囲気下で液晶注入口4に液晶を滴下し注入する工程を示すものである。本図に示されるように、液晶注入口4の両端には突出部5が形成されており、しかも該突出部5は厚みが液晶厚よりも厚いため、液晶注入口4から横方向に流れ出した液晶6は該突出部5に阻まれて外側へ流れる出ることができない。従って、該液晶は表面張力によって液晶注入口4周辺に保持され、徐々に液晶注入口4から液晶セル内へと移動し、該液晶セルに充填される。液晶の充填が完了した後、雰囲気を大気圧に戻し、余分の液晶を除去して封止材を液晶注入口4に滴下し硬化する。

【0015】本発明の液晶セルにおいて、突出部5を液晶注入口4の際ではなく、該注入口4の位置するシール材の辺の両端部に形成した理由は、液晶注入口4の際に突出部5を形成したのでは保持できる液晶量が少なく、滴下回数が多くなるため、両端部に形成することで1回に滴下・保持し得る液晶量が増え、滴下回数を低減、或いは1回の滴下で液晶を充填することができるためである。

【0016】上記実施形態においては、シール材により封止パターンを形成すると同時に突出部5も形成したが、図5に示す従来の封止パターンを形成して第二の電極基板と貼り合わせた後に所定の位置に突出部5を形成しても構わない。

【0017】

【発明の効果】以上詳述したように、本願発明においては液晶注入工程において滴下した液晶を無駄なく用いることができるため、作業効率が高く、しかも充填不良がなく製造歩留が高い。よって製造コストが削減され、安価で信頼性の高い液晶パネルが提供される。

【図面の簡単な説明】

【図1】本発明の一実施形態の液晶セルのシール材の封止パターンを示す図である。

【図2】図1に示した実施形態の液晶セルを示す図である。

【図3】図2に示した液晶セルのA-A'断面図である。

【図4】図2に示した液晶セルの液晶注入工程を示す図である。

【図5】従来の液晶セルを示す図である。

【符号の説明】

1 第一の電極基板

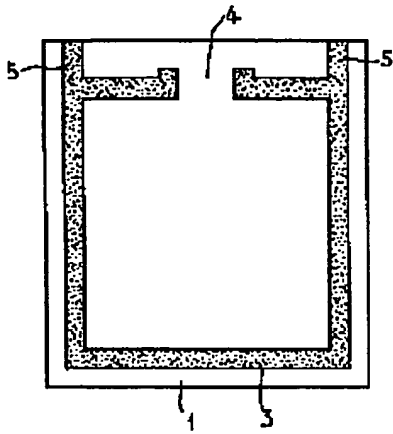
2 第二の電極基板

3 シール材

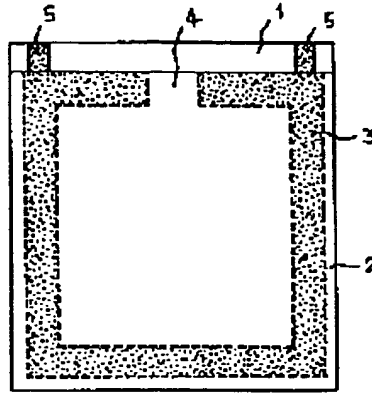
- 4 液晶注入口
- 5 突出部

6 液晶

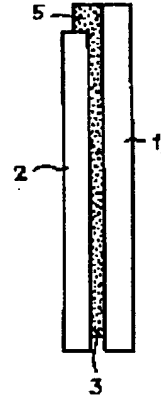
【図1】



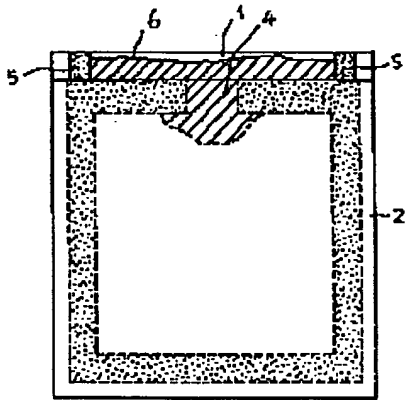
【図2】



【図3】



【図4】



【図5】

